



SONESSE 50 RTS TECHNICAL DATA

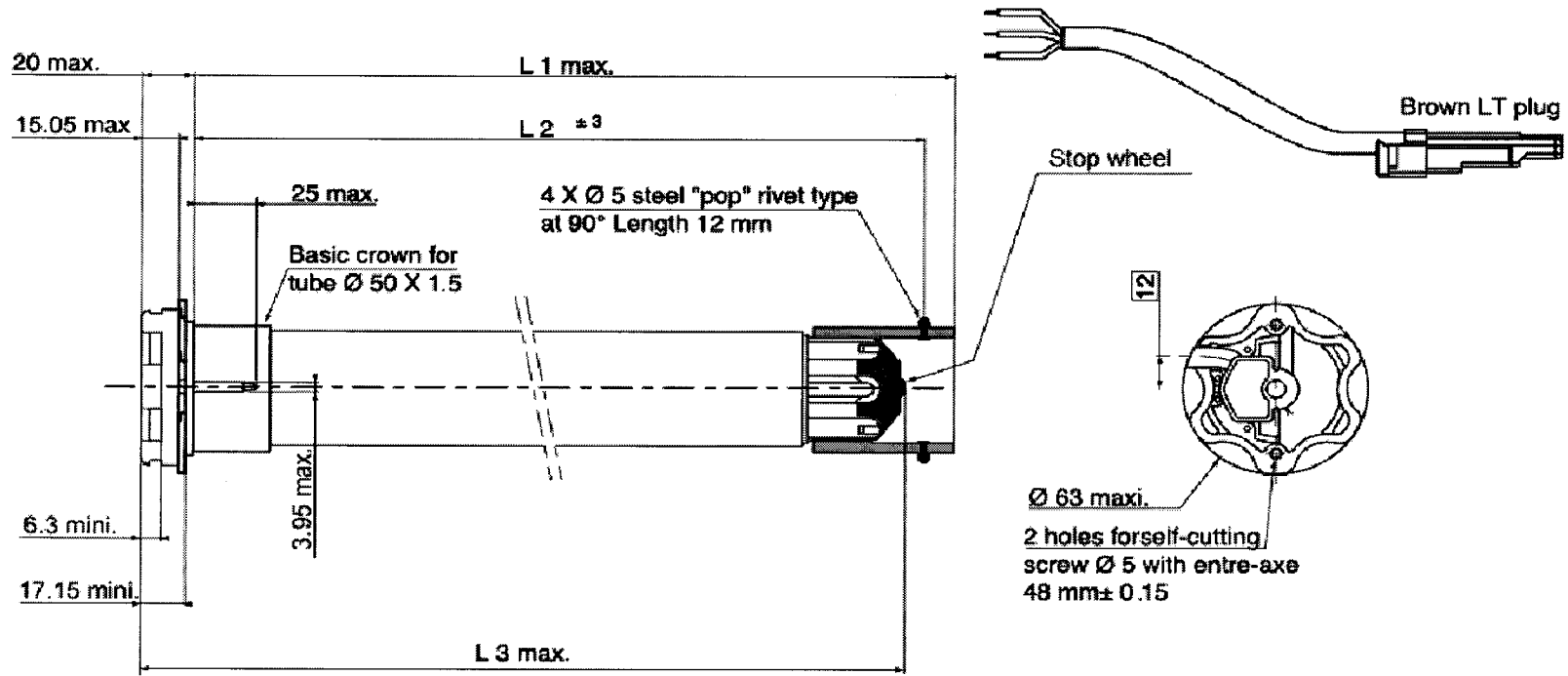
TS - FPTE
RANGE 2
ST50 RTS Range2 R1
16/07/2007 Page 1/2

Nominal voltage	120 V - 60 Hz
Power supply tolerances	108 - 132V
Thermal time	4 minutes
Number of wires of the cable	3
Wire section	AWG 18
Type of Limit Switch Unit	Electronic limit switch
Capacity of the Limit Switch Unit	250 turns
Repeatability	+/- 3°
System of protection	IP 31
Interface drawings	206810 : Screw Implantation LT50 206821 : Wheel Interface LT50 206822 : Crown Interface LT50 206823 : Star Head LT50, LT50 PA/PS
Basic crown for tube Ø	50 x 1,5 mm + see integration recommendations
radio frequency	433,42 MHz
coding	Rolling code 16 million of possibilities
capacity of memory	12 different transmitters plus 3 wireless sensors
antenna	Integrated antenna
range	20m with 2 reinforced concrete walls to be passed through
R&TTE	Dir 1999/5/CE
Safety Security	EN 60335-2-97
Electromagnetic compatibility	EN 301489-3
Radio	EN 300-220-3
Temperature working range	Normal use : 0°C to + 60°C
Noise Level	According to SOMFY measurements (Pressure level measured at 1m from the end product).

Integration recommendations	
	<ul style="list-style-type: none"> * The noise level depends upon the right fit between customers tubes and accessories, especially the crowns and the wheels. * Free plays have to be minimized between the accessories and the end product tube to ensure the performance of the actuator. * Interior tube diameter > 47 mm - compatible with LT50 range crowns and wheels - * Crown as an interface with tubes is compulsory to ensure the performance of the actuator. * The stop wheel (ref : 9910004) must be screwed with a torque ranging between 1.5Nm and 1.8Nm. * Drive wheel must be riveted to the tube. * It's recommended to use the specific collapsible idler end cap (ref : 9013592 or ref : 9013593) for silent result (do not use LT50 idler end caps). * Somfy Soft Clip wheels are forbidden for this application.

Tests done at 20°C, 120V 60Hz, in a tube of Ø63															
	Nm / in.lbf	rpm		mm	mm	mm	mm	W	A	°C		kg	dBA	mm	µF
Designation	Nominal torque	No-load Speed	reference	L1 max.	L2 (±3 mm)	L3 max.	tube	Rated power	Rated current	Thermal tripping	Brake type	Weight	Noise	Stator	Capacitor
504S2 SONESSE RTS VVF 2m	4 / 35	32	5047803A	783	770	796	720	110	0,95	120	sliding	2,875	≤44	60	9,5

WIRING	Neutral	White
	Live	Black
	Earth	Green



R & D		QUALITY		AUTHOR	
Name	Yann LE RU	Name	Xavier COLET	Name	Arnaud MARTIN
Date	16 07 07	Date	17/07/2007	Date	le 16/7/7
Visa		Visa		Visa	