



DECORA RTS SWITCH

Operating Instructions

1

DESCRIPTION



**4 - Channel: 6301025 (White)
6301035 (Ivory)**

**1 - Channel: 6301033 (White)
6301034 (Ivory)**

The Decora RTS Switch (single or four channel) is a wireless radio transmitter compatible with all the RTS MOTORS, and externally mounted RTS receivers.

- **Commands are transmitted by radio waves at 433.42 MHz.**
- **Power: 3V lithium battery, CR 2430 type**
- **Operating temperature: +5°C/41°F to +40°C/104°F**
- **Range: Up to 65 Ft.**
- **Fits into standard Decora Wall Plates**

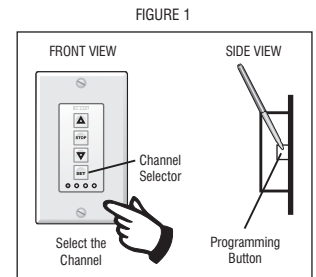
This is a low voltage device which does not need to be mounted inside an electrical box. It can be mounted adjacent to an existing Decora style light switch or, as a stand alone device using the specific SOMFY low voltage bracket (included).

2

PROGRAMMING

A. ADDING A DECORA RTS WALL SWITCH - INITIAL INSTALLATION

1. **IMPORTANT:** for initial programming provide power only to the motor being programmed
2. Set the RTS Receiver or motor into its Programming Mode (Refer to the installation instructions of the relevant RTS receiver or motor for this procedure)
3. For a single channel Decora RTS please proceed to the next step. For a **Four Channel Decora RTS**, select the channel to be memorized by pressing the channel selector button on the front of the Decora RTS wall switch until the corresponding LED blinks. Refer to Figure 1.
4. Press briefly the programming button (1 sec max) located on the side of the Decora RTS Switch (Refer to Fig. 1)
5. The receiver will confirm the address of the Decora RTS was memorized by the LED rapidly blinking and turning off. An RTS, Altus, or LT RTS CMO motor will confirm by a visual jog (previously audible "beeping"). A jog is a short UP and DOWN movement of the motor.



B. ADDING MULTIPLE DECORA RTS WALL SWITCHES

1. Activate the receiver or motor into programming mode by pressing and holding the programming button (for 3 sec.) of a Decora RTS switch that has been previously memorized. There is no need to access the external receiver for this operation*
2. The receiver/motor will confirm PROGRAMMING MODE (receiver=LED Blinks, motor=jogs)
3. Select the **NEW** channel or Decora RTS to be memorized. Press the programming button (1 sec. max.) on the side of the Decora RTS switch.
4. The receiver/motor will confirm the addition of the new Decora RTS in their respective manners. (Receiver=LED Blinks, Motor=Jogs)
5. Repeat the steps above for each additional Decora RTS or channel, including the master channel (when all LED's are blinking.)

NOTE: The RTS receiver/motor can only memorize 12 RTS switches/channels. If a 13th is attempted, it will be ignored.

C. GROUPING DECORA RTS WALL SWITCHES

1. Set all the receivers/motors you wish to control into PROGRAMMING MODE.
2. Press the programming button (1 sec. max.) on the side of the Decora RTS switch
3. All the receivers/motors within the transmitted range of the Decora RTS will confirm the addition of the NEW Decora RTS.

D. REMOVING A DECORA RTS FROM THE RECEIVER'S MEMORY

1. Please refer to section B, "Adding multiple Decora RTS wall switches". The procedure is exactly the same for removing the Decora RTS wall switch. If the Decora RTS was previously recorded it will be deleted. If it was not in memory it will be added to the memory of the receiver/motor.

***NOTE:** It is possible to activate an external receiver with another Decora Transmitter without having access to the programming button on the PCB of the receiver. Treat the external receiver as you would a motor and press and hold the programming button of the Decora RTS (for 3 sec.) then briefly press the programming button of the Decora RTS switch you wish to add/remove.

SOMFY CANADA

6315 Shawson Drive, Unit #1
Mississauga, Ontario L5T1J2

SOMFY SYSTEMS, INC.

47 Commerce Drive
Cranbury, NJ 08512

SOMFY MEXICO S.A. De C.V.

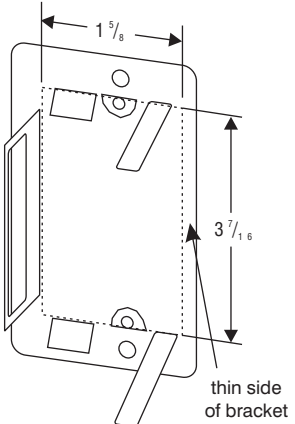
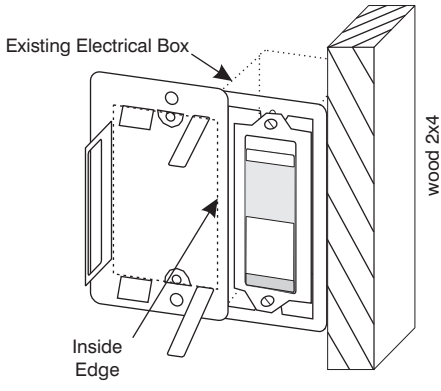
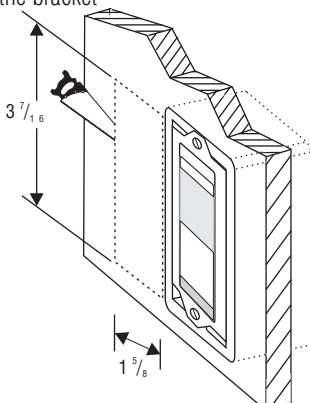
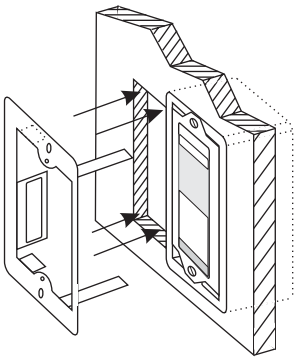
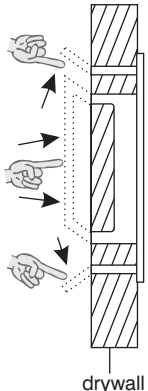
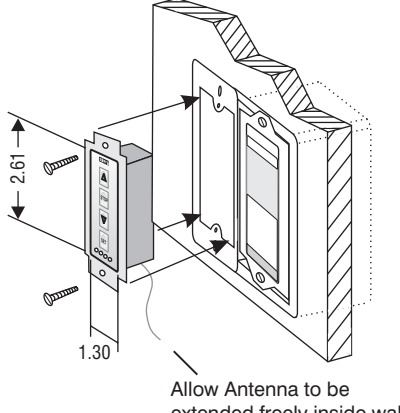
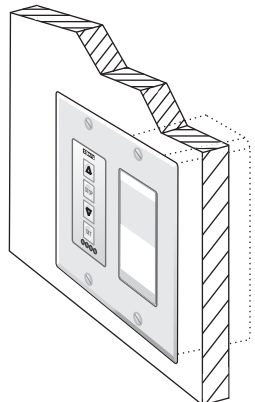
Calle 3 No.47, Loc.E-5
Fracc Ind. Alce Blanco
Nau., Edo. de Mex C.P. 53370, Mex

3 MOUNTING METHOD

The special SOMFY low-voltage bracket is specifically designed to mount the Decora RTS wall switch next to an existing Decora light switch with an electrical box already behind the drywall. This bracket differs from other off the shelf low-voltage brackets because it is offset to one side. This allows a double gang Decora style cover plate to fit over both switches without installing a double gang electrical box behind the drywall. It is also possible to mount this bracket as a stand alone low voltage device.

INSTALLATION PROCEDURE

NOTE: This bracket is designed for an existing electrical box already behind the sheetrock. If a retrofit electrical box was used, it is recommended to remove the single gang and replace it with a double gang retrofit box.

| | | | |
|--|---|---|---|
| <p>1. Orient the brackets flat side against the wall keeping the thin side closest and centered with the existing electrical switch box.</p>  | <p>2. Align the inside edge of the thin side on the bracket with the outside edge of the switch box. Then trace the inside shape (as shown by the dashed line in the diagram) of the bracket. (sheetrock not shown for clarity)</p>  | <p>3. Cut traced opening into drywall. Be careful not to make the opening larger than necessary, to ensure a tight fit. Use dimensions in diagram below. Do not exceed these dimensions to ensure a proper fit of the bracket</p>  | |
| <p>4. Insert bracket (as shown) into hole, keeping the thin side closest to the existing switch box, and laying flat on drywall.</p>  | <p>5. To keep the bracket in place, bend tabs 90° around drywall, as tightly as possible.</p>  | <p>6. Mount low voltage switch into bracket, with its edge flush against electrical switch box.</p>  | <p>7. Finish the installation by mounting a standard double gang Decora switch cover plate, over both switches</p>  |

4 BATTERY LIFE

The RTS Switches are powered by a 3V battery (type 2430) which provides about 3 years operation assuming 4 operations per day. When the battery becomes discharged, the control LED no longer lights up when a command is sent, and the command is not carried out.

HOW TO REPLACE THE BATTERY

1. Remove the screws on the back cover of the RTS Switch.
 2. Slide the battery out of its holder by pushing it with a screwdriver.
 3. Insert the new battery, maintaining its correct polarity.
- NOTE:** Do not throw the battery in the trash, but dispose of it properly.